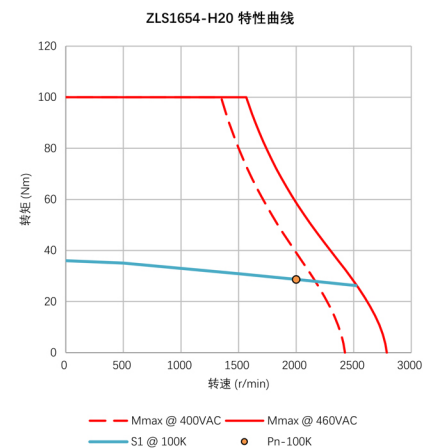
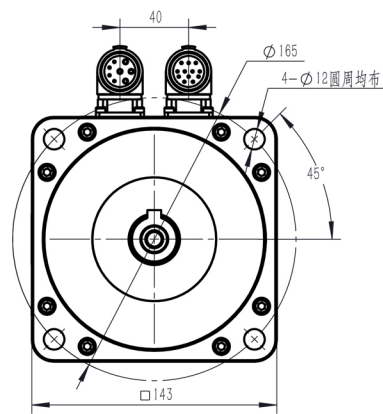
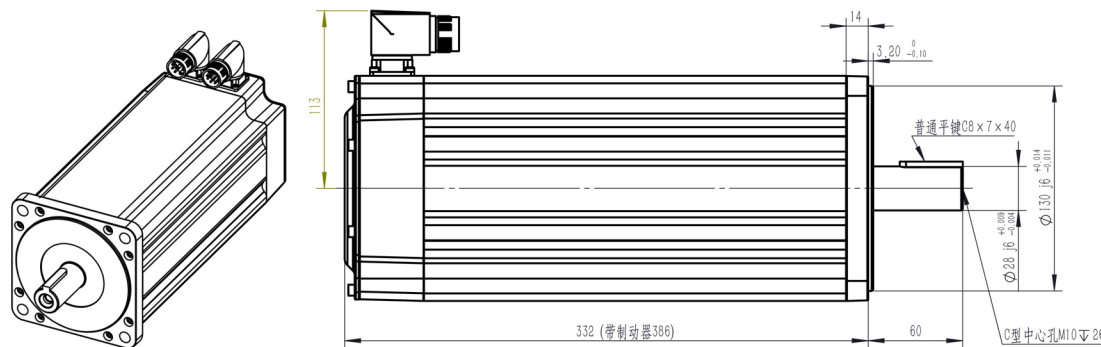



电机技术规格
Motor specifications

| 名称 Name | 数据 Parameter | 单位 Unit | 名称 Name | 数据 Parameter | 单位 Unit |
|----------------------------------------------------|-----------------|------------------|--------------------------------------------------------|--------------------|------------|
| 工作电压 Working Voltage | 380-480 | V | 电机重量(无制动器) Motor weight (without brake) | 26.1 | kg |
| 堵转转矩 Locked rotor torque | 36 | Nm | 电机重量(带制动器) Motor weight (with brake) | 28.6 | kg |
| 堵转电流 Locked rotor current | 16 | Arms | 制动器类型 Brake Type | 机械弹簧加 压式 | |
| 额定功率 Rated power | 6 | kW | 制动器背隙最大值 Maximum brake backlash | 30 | arcmin |
| 额定转速 Rated speed | 2000 | r/min | 制动器静态转矩(20° C) Brake static torque | 40 | Nm |
| 额定转矩 Rated torque | 28.7 | Nm | 制动器额定电压 Rated voltage of brake | 24±10% | V |
| 额定电流 Rated current | 12.8 | Arms | 制动器额定功率 Brake rated power | 28±7% | W |
| 最大转速 Max speed | 6000 | r/min | 反馈元件类型 Feedback element type | 电池多圈绝 对值编码器 | |
| 峰值转矩 Peak torque | 100 | Nm | 反馈元件型号 Model of feedback element | TS5700N8401 | |
| 峰值电流 Peak current | 48 | Arms | 反馈元件分辨率 Feedback element resolution | 多圈16bit 单圈23bit | |
| 极数 Number of poles | 8 | Poles | 反馈元件通讯协议 Feedback element communication protocol | T-format | |
| 转矩常数(热态) Torque constant (hot state) | 2.25 | Nm/A | 动力连接器类型 Power connector type | 国产M23 8-Pin | |
| 电压常数(20° C) Voltage constant | 157 | V/1krp | 反馈连接器类型 Feedback connector type | 国产M23 12-Pin | |
| 绕组电阻(20° C) Winding resistance | 0.7 | Ω | 轴键 Shaft key | 有轴键 | |
| 绕组电感(20° C) Winding inductance | 14.9 | mH | 轴密封 Shaft seal | 有轴封 | |
| 转动惯量(无制动器) Moment of inertia (without brake) | 24.5 | kgm ² | 温度传感器 Temperature sensor | PTC165 | |
| 转动惯量(带制动器) Moment of inertia (with brake) | 26.1 | kgm ² | | | |





| | |
|-------------|---------------------|
| 型号 Model | 143MH-L00620A33F-BI |
| 年月日 Date | 2022/5/14 |

深圳市威科达科技有限公司
SHENZHEN VECTOR TECHNOLOGY CO.,LTD